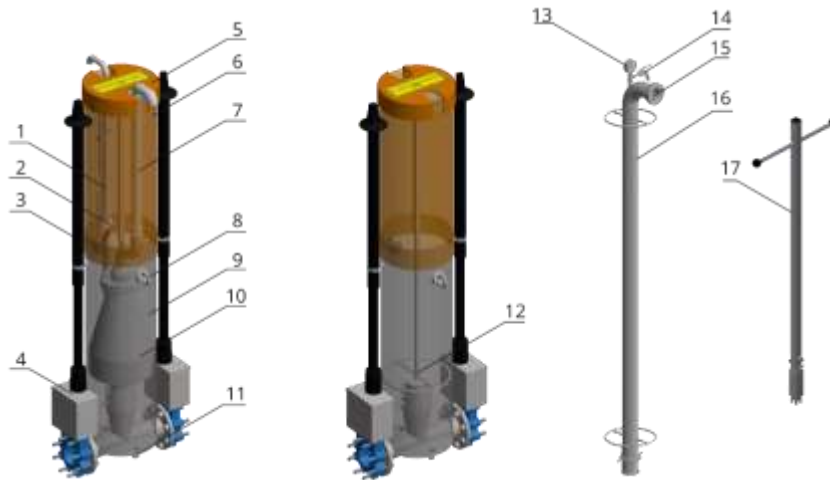


EKON-INOX, EKOS-INOX columns construction



Numer	Nazwa elementu	Materiał
1	Decompression pipe	PCV
2	Ball valve	Stainless steel 0H18N9
3	Telescopic seatpost	Cast iron EN-GJL-250
4	Knife gate valve for ground structure	Cast iron EN-GJL-250
5	Casting cover	PCV
6	Regulated casting	PCV
7	Aeration air release pipe	PCV
8	Assembly jig	Stainless steel 0H18N9
9	Casting	Stainless steel 0H18N9
10	Aeration air release valve	Stainless steel 0H18N9
11	Drainage	Stainless steel 0H18N9
12	Stopper with adjustable length	Stainless steel 0H18N9
13	Vacuum meter	Stainless steel 0H18N9
14	Ball valve	Stainless steel 0H18N9
15	Hydrant connection	Stainless steel 0H18N9
16	Standpipe	Stainless steel 0H18N9
17	Spanner for the assembly and disassembly of the aeration and air release valve, stopper, opening and closing gate valves	Stainless steel 0H18N9