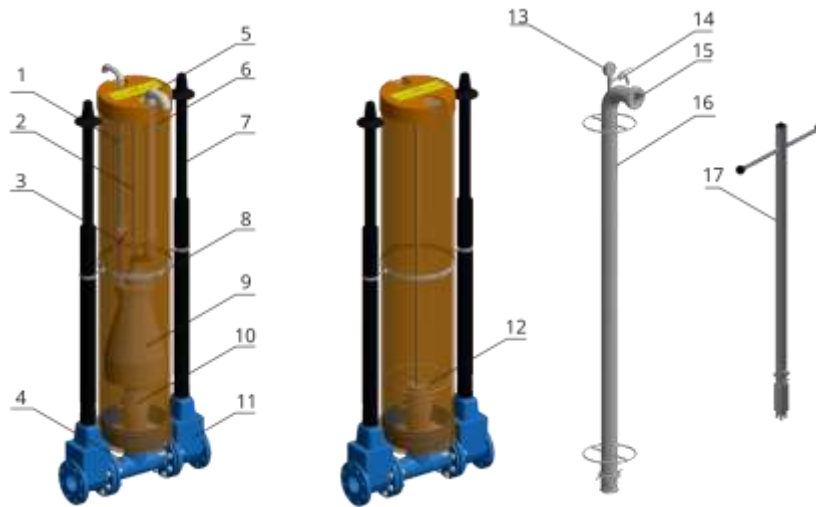


EKON, EKOS columns construction



Numer	Nazwa elementu	Materiał
1	Decompression pipe	PCV
2	Aeration air release valve handle	Stainless steel 0H18N9
3	Ball valve	Stainless steel 0H18N9
4	Tee	Ductile iron EN-GJS-500
5	Casing cover	PCV
6	Regulated casing	PCV
7	Telescopic seatpost	Cast iron EN-GJL-250
8	Clamp	Stainless steel 0H18N9
9	Aeration and air release valve	Stainless steel 0H18N9
10	Quick coupling	Stainless steel 0H18N9
11	Soft sealed knife gate valve	Stainless steel 0H18N9
12	Stopper with adjustable length	Stainless steel 0H18N9
13	Vacuum meter	Stainless steel 0H18N9
14	Ball valve	Stainless steel 0H18N9
15	Hydrant connection	Stainless steel 0H18N9
16	Standpipe	Stainless steel 0H18N9
17	Spanner for the assembly and disassembly of the aeration and air release valve, stopper, opening and closing gate valves	Stainless steel 0H18N9