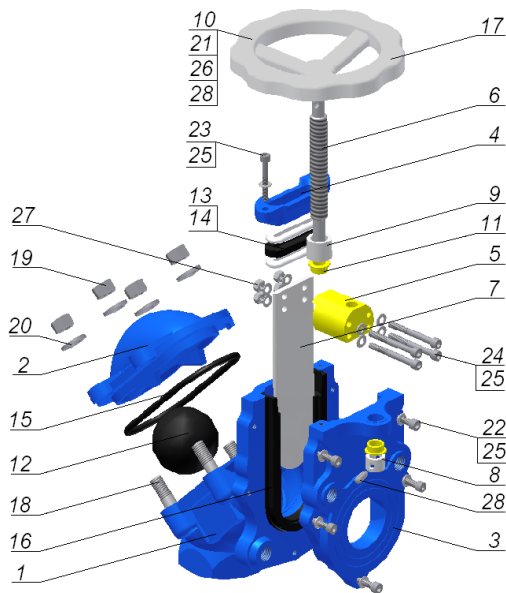


COMBI check valves construction Sizes DN 50 – DN 100

SZUSTER system elbow check valves, type COMBI 01 or COMBI 11 are made so that their optimal pressure ranges are suitably adapted to the pressure occurring in the sewage systems (PN 10 or PN 16 - different for each type). They possess anti-corrosion protection.

Type COMBI 01



Item	Part Name	Material	Item	Part Name	Material
1	Body	EN-GJL-250, PN-EN 1561:2000	16	Seal: U type	EPDM / NBR
2	Cover	EN-GJL-250, PN-EN 1561:2000	17	Wheel	AK11
3	Plate	EN-GJL-250, PN-EN 1561:2000	18	Flat set screw M12x50	0H18N9
4	Gland clamp	EN-GJL-250, PN-EN 1561:2000	19	Screw cap M12	0H18N9
5	Spindle nut	MO58	20	Washer Ø12	0H18N9
6	Spindle	0H18N9	21	Bolt M6x10	0H18N9
7	Knife	0H18N9	22	Bolt M6x20	0H18N9
8	Fastening sleeve	0H18N9	23	Bolt M6x40	0H18N9
9	Spacer sleeve	0H18N9	24	Bolt M6x55	0H18N9
10	Wheel fastening sleeve	0H18N9	25	Washer Ø6	0H18N9
11	Slide sleeve	MO58	26	Washer Ø6x25	0H18N9
12	Ball	EPDM / NBR	27	Screw cap M6	0H18N9
13/14	Gland: packing	PTFE + EPDM / NBR	28	Spring-type pin	0H18N9
15	Seal: o-ring	EPDM / NBR			

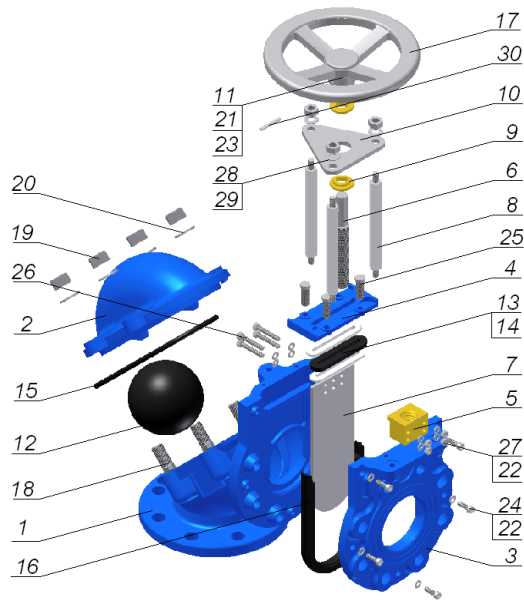
When designing these devices, the following standards were complied with:

PN-EN 1092-2 - flanges and their connections: round flanges for pipes, fittings, connectors and fixtures with PN marking. Cast-iron flanges.

PN-EN 10226-1 - pipe threads of connections with sealing on the thread. Part 1: External taper treads and internal straight threads. Sizes, tolerances and marking.

PN-EN 12050-4 - sewage pumping stations in buildings and near buildings. Rules of construction and testing. Part 4: Non-return valves for sewage pumping stations with and without fecal matter.

Type COMBI 11



Item	Part Name	Material	Item	Part Name	Material
1	Body	EN-GJL-250, PN-EN 1561:2000	17	Wheel	AK11
2	Cover	EN-GJL-250, PN-EN 1561:2000	18	Flat set screw M16x70	0H18N9
3	Plate	EN-GJL-250, PN-EN 1561:2000	19	Screw cap M16	0H18N9
4	Gland clamp	EN-GJL-250, PN-EN 1561:2000	20	Washer Ø16	0H18N9
5	Spindle nut	MO58	21	Washer Ø6x25	0H18N9
6	Spindle	0H18N9	22	Washer Ø6	0H18N9
7	Knife	0H18N9	23	Bolt M6x10	0H18N9
8	Post	0H18N9	24	Bolt M6x20	0H18N9
9	Slide sleeve	MO58	25	Bolt M6x30	0H18N9
10	Bracket	0H18N9	26	Bolt M6x45	0H18N9
11	Fastening sleeve: wheel	0H18N9	27	Screw cap M6	0H18N9
12	Ball	EPDM / NBR	28	Washer Ø10	0H18N9
13/14	Gland: packing	Sznur PTFE + EPDM / NBR	29	Screw cap M10	0H18N9
15	Seal: o-ring	EPDM / NBR	30	Spring-type pin	0H18N9
16	Seal U - type	EPDM / NBR			

When designing these devices, the following standards were complied with:

PN-EN 1092-2 - flanges and their connections: round flanges for pipes, fittings, connectors and fixtures with PN marking. Cast-iron flanges.

PN-EN 10226-1 - pipe threads of connections with sealing on the thread. Part 1: External taper threads and internal straight threads. Sizes, tolerances and marking.

PN-EN 12050-4 - sewage pumping stations in buildings and near buildings. Rules of construction and testing. Part 4: Non-return valves for sewage pumping stations with and without fecal matter.